

Superelastic drive wheel
(SE) and increased
ground clearance

Powerful, maintenance-free
3-phase AC drive motor

jetPILOT

curveCONTROL

speedCONTROL



EZS C40

Electric tow tractor with SE tyres (4,000 kg)

The Jungheinrich EZS C40 is a versatile, economic tow tractor for pulling trailers weighing up to 4000 kg. Attaching several trailers allows the load surfaces to be infinitely variable. This contributes to flexible material turnover. With its superelastic drive wheel (SE) the EZS C40 offers optimum traction on smooth floors as well as slightly uneven ground, such as when operating outdoors. At the same time the solid tyre absorbs minor impacts, e.g. from bumpy ground and dock levellers.

With its increased ground clearance, the truck is ideally suited for travelling on uneven surfaces, even outdoors. The coupling is clearly visible from any position and is also easily accessible. This saves both time and costs.

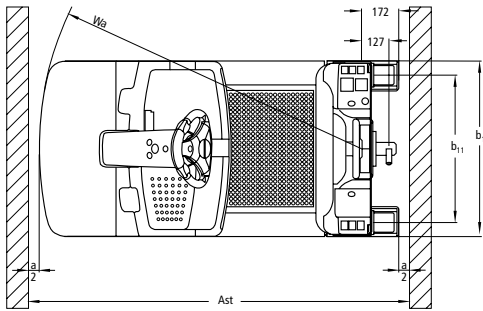
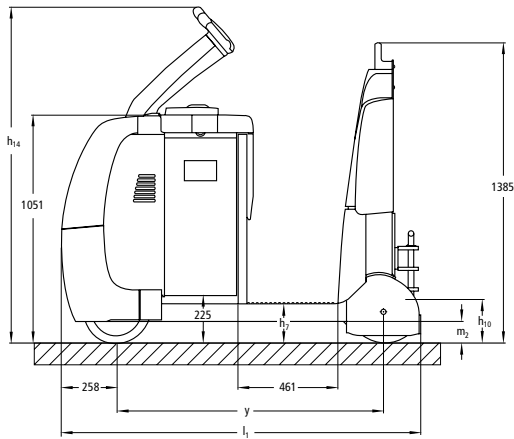
The tow tractor can be equipped with a wide range of couplings, making it adaptable to practically any type of trailer.

The 24-V drive motor with its 3-phase AC technology ensures high performance. The advantages are powerful acceleration and high top speed, with significant energy savings, extended operating times and low maintenance. This is due to the improved efficiency, the optimised co-ordination between the drive motor and controller as well as regenerative braking.

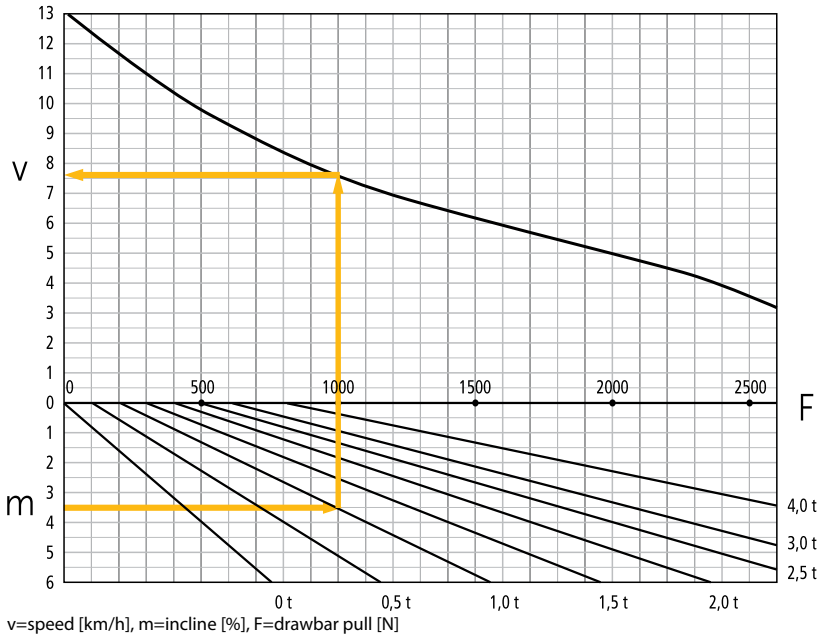
High productivity features include the low stand-on platform and the short distance from the operator position to the load. The EZS works well in tight areas. Its turning radius is so small that the operator will feel that they are turning on the spot. The jetPILOT steering wheel, supportive backrest and curveCONTROL automatic speed reduction, all provide comfortable operation when cornering.



EZS C40



Towing capacity



Example:

The EZS C40 can operate on a 3.5% incline with a 1 t. load. To do this the EZS requires a 1000 N drawbar pull, enabling it to reach approx. 7.5 km/h.

Note:

The EZS C40 is not suitable for continuous operations over 800 N.

For gradients / descents greater than 4% it is recommended that braked trailers be used.

Technical data in line with VDI 2198

Identification	1.1	Manufacturer (abbreviation)		Jungheinrich
	1.2	Model		EZS C40
	1.3	Drive		Electric
	1.4	Manual, pedestrian, stand-on, seated, order picker operation		stand-on
	1.5	Load capacity/rated load	Q t	4
	1.7	Rated drawbar pull	F N	800
	1.9	Wheelbase	y mm	1,229
Weights	2.1.1	Net weight incl. battery (see row 6.5)	kg	1,185
	2.3	Axle loading, unladen front/rear	kg	660 / 525
Wheels / frame	3.1	Tyres		SE
	3.2	Tyre size, front	mm	Ø 310 x 105
	3.3	Tyre size, rear	mm	Ø 301 x 85
	3.5	Wheels, number front/rear (x = driven wheels)		1x /2
	3.7	Tread width, rear	b ₁₁ mm	680
Basic dimensions	4.8.1	Standing height	h ₇ mm	182
	4.9	Height of tiller in drive position min. / max.	h ₁₄ mm	1,450 ¹⁾
	4.12	Coupling height	h ₁₀ mm	158 ²⁾
	4.19	Overall length	l ₁ mm	1,659 ⁵⁾
	4.21	Overall width	b ₁ /b ₂ mm	810
	4.32	Ground clearance, centre of wheelbase	m ₂ mm	100
Performance data	4.35	Turning radius	W _a mm	1,470
	5.1	Travel speed, laden/unladen	km/h	8 / 12.5 ⁴⁾
	5.5	Drawbar pull, laden/unladen	N	800 ³⁾
	5.6	Max. drawbar pull, laden/unladen	N	2,600 ⁴⁾
5.10	Service brake		electro-magnetic	
Electrics	6.1	Drive motor, output S2 60 min.	kW	2.8
	6.4	Battery voltage/nominal capacity K5	V/Ah	24 / 620
	6.5	Battery weight	kg	470
Misc.	8.1	Type of drive control		AC speedCONTROL
	8.4	Sound pressure level at operator's ear as per EN 12053	dB (A)	66

¹⁾ jetPILOT height

²⁾ Other coupling heights available

³⁾ Rated drawbar pull

⁴⁾ See diagram

⁵⁾ Total length without coupling, as different coupling systems are available.

Benefit from the advantages



jetPILOT steering wheel



Easy entry and exit



Superelastic drive wheel (SE)



Different couplings available (optional)

Innovative 3-phase AC technology

Jungheinrich 3-phase AC motors offer high performance while simultaneously reducing running costs. The advantages are:

- High efficiency levels with excellent energy management.
- Powerful acceleration.
- Rapid direction change.
- Maintenance-free drive motor with no carbon brushes.
- 2-year warranty on the drive motor.

Comfortable and safe operation

The speedCONTROL impulse control and curveCONTROL automatic speed reduction, provide smooth, safe travel when cornering and are adjustable for every application:

- The speed set by the travel switch is maintained under all travel conditions including gradients / descents.
- 3 adjustable travel programs for individual adjustment to any requirements.
- Regenerative braking with energy recovery when slowing down.
- Safe cornering: The operator has the truck under control at all times.

Optimised ergonomics

- Low operator platform for frequent and effortless entry and exit.
- Short distances for the operator from the cab to reach the coupling and load.

- The coupling is clearly visible from any position and is also easily accessible.
- Rapid and easy hitching/unhitching of the trailers through semi-automatic remote coupling unlocking (optional) from the operator position.
- jetPILOT electric steering wheel.
- Range of coupling systems for various trailer types.
- All wheels are superelastic (including drive wheel) to ensure maximum comfort.

Rugged construction for the toughest applications

- Frame made from high-grade, 8-mm steel plate.
- Extra-high frame apron on front cover.
- SE tyres – including on the drive wheel – to protect operator and tow tractor.
- High ground clearance.

Long operating times available with lead-acid battery

Energy-efficient 3-phase AC technology and high battery capacities allow for long operating times:

- Standard version: 3 PzS 465 Ah.
- Optional battery capacity: 620 Ah.

Fully informed at all times

Extensive display provides a complete overview:

- CanDis (optional) provides information on the battery discharge status, number of operating hours and error codes.
- Activation of truck via PIN and selection of 3 travel programs via keypad (optional).
- Adjustable travel parameters via CanDis and CanCode (optional).

Additional equipment

Extensive accessories for individual tailoring to your requirements:

- Non-marking superelastic tyres.
- Rear inching, via buttons in the backrest on both sides.
- Remote coupling release.
- Extra steel or rubber bumper.
- Holder for radio data components.
- Folding operator seat for relaxed travel.

Lithium-ion technology

- High degree of availability thanks to extremely short charging times.
- No battery exchange required.
- Cost savings due to longer service life and low maintenance compared with lead-acid batteries.
- No charging rooms and ventilation required as there is no build up of gas.
- Longer service life with 5-year Jungheinrich guarantee.

Jungheinrich Lift Truck Ltd.

335/3 Moo 9, Bangna - Trad KM.19 Rd.,
Tambon Bangchalong, Amphoe Bangplee,
Samutprakarn 10540
Thailand
Tel.: +66 20090200
Fax: +66 20090209

info@jungheinrich.co.th
www.jungheinrich.co.th

The German production facilities in Norderstedt, Moosburg and Landsberg are certified. **ISO 9001**
ISO 14001

Jungheinrich fork lift trucks meet European safety requirements.



JUNGHEINRICH