

Also suitable for outdoor applications

Comfortable operator seat

Automatic parking brake

speedCONTROL

Powerful, maintenance-free 3-phase AC drive motor



EZS 570/580/590/5100

Electric tow tractor (7,000/8,000/9,000/10,000 kg)

Robust, versatile and economical – these are the advantages offered by our EZS 570, 580, 590 and 5100 electric tow tractors. When used in warehouses or outside – these high-performance tow tractors with tow load capacities of up to 10,000 kg are suitable for any application.

In addition to outstanding ride comfort and safety, the Series 5 tow tractors also offer increased performance with low energy consumption:

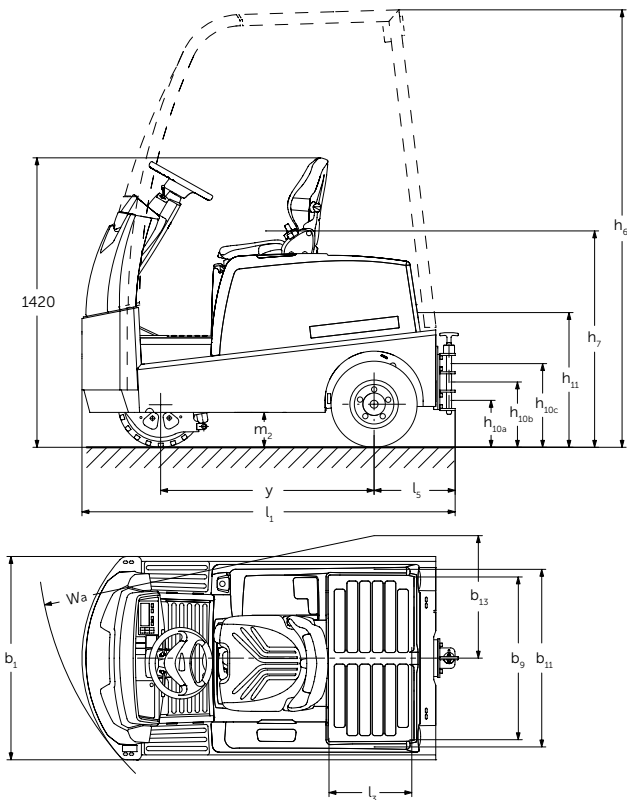
- New comfort suspension: The fully cushioned suspension with springs and shock absorbers on all wheels protects the operator's back as well as the truck.
- Robust design: The powerful steel frame and hard-wearing moulded parts last for the lifetime of a tow tractor in daily operation.
- LED lighting: The optional lighting is environmentally friendly and not sensitive to vibrations.
- Easily accessible coupling: From a seated position, the coupling is clearly visible and easy to reach. Different couplings are available.

- Generous and comfortable operator position: The low stand-on platform makes it easy to climb aboard, the spacious foot-well provides ample legroom and the steering wheel, travel direction switch and indicator lever are all easy to reach, making it an extremely ergonomic unit.
- Automatic parking brake with roll-back protection. When the truck comes to a halt, the tow tractor and trailer are automatically secured.
- 48-V 3-phase AC motor provides strong acceleration and a high top speed.
- Regenerative braking: The braking energy is fed back into the battery, thereby extending its operating period.
- Fast battery replacement: The battery can either be lifted out by crane or optionally replaced from the side.
- Economic use of pool batteries: Use of the 625-Ah battery, which is also used in the 48-V class forward-loading trucks, in the XL version.

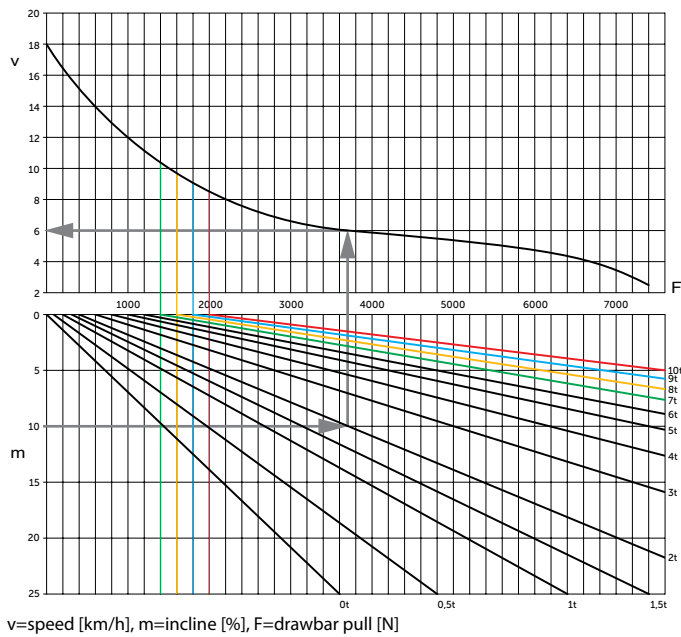
Conclusion: Sophisticated ergonomics and technology in the form of our EZS Series 5 ensure gentle and safe working with a high degree of cost and energy efficiency.

 **JUNGHEINRICH**

EZS 570/580/590/5100



Towing capacity



Example:

The EZS 570 travels on a 10% incline with a 2 t load. The EZS requires 3700 N tractive power for this and reaches approx. 6 km/h.

Note:

- No continuous operation possible for EZS 570 over 1400 N.
- No continuous operation possible for EZS 580 over 1600 N.
- No continuous operation possible for EZS 590 over 1800 N.
- No continuous operation possible for EZS 5100 XL over 2000 N.

For gradients/descents greater than 4%, it is recommended that braked trailers be used!

Technical data in line with VDI 2198

Identification	1.1		Jungheinrich										
	1.2		EZS 570	EZS 570 XL	EZS 580	EZS 580 XL	EZS 590	EZS 590 XL	EZS 5100 XL				
Identification	1.3		Electric										
	1.4		seat										
	1.5		Q	t	7	7	8	8	9	9	10		
	1.7		F	N	1,400	1,400	1,600	1,600	1,800	1,800	2,000		
	1.9		y	mm	1,035	1,250	1,035	1,250	1,035	1,250	1,250		
Weights	2.1.1		Net weight incl. battery (see row 6.5)		kg	1,260	1,620	1,320	1,675	1,410	1,675	1,952	
	2.3		Axle loading, unladen front/rear		kg	580 / 680	780 / 840	580 / 740	835 / 840	620 / 790	835 / 840	897 / 1,055	
Wheels / frame	3.1		SE / pneumatic										
	3.2		16x6-8										
	3.3		4.00-8										
	3.5		1 / 2x										
	3.6		b ₁₀	mm	0	0	0	0	0	0	0		
Basic dimensions	3.7		b ₁₁	mm	870								
	4.7		Height of overhead guard		h ₆	mm	2,140						
	4.8		Seat height/standing height		h ₇	mm	1,040						
	4.12		Coupling height		h ₁₀	mm	240						
	4.12.1		2. Coupling height		mm		330						
	4.12.2		3. Coupling height		mm		420						
	4.13		Loading height unladen		h ₁₁	mm	650	650	650	650	640	640	640
	4.16		loading area length		l ₃	mm	400						
	4.17		Overhang length		l ₅	mm	375						
	4.18		Loading area width		b ₉	mm	795						
	4.19		Overall length		l ₁	mm	1,813	2,035	1,813	2,035	1,813	2,035	2,035
	4.21		Overall width		b ₁ /b ₂	mm	996						
	Performance data	4.32		Ground clearance, centre of wheelbase		m ₂	mm	160	160	160	160	130	160
4.35		Turning radius		W _a	mm	1,620	1,860	1,620	1,860	1,620	1,860	1,860	
4.36		Smallest turning radius		b ₁₃	mm	600	665	600	665	600	665	665	
5.1		Travel speed, laden/unladen		km/h	8.5 / 18	8.5 / 18	8.5 / 18	8.5 / 18	8.5 / 18	8.5 / 18	8.5 / 18	7 / 18	
5.5		Drawbar pull, laden/unladen		N	1,400	1,400	1,600	1,600	1,800	1,800	2,000		
5.6		Max. drawbar pull, laden/unladen		N	5,500	5,500	6,500	6,500	7,500	7,500	7,600		
5.7		Gradeability, laden/unladen		%	- / - ¹⁾								
5.8		Max. gradeability, laden/unladen		%	- / - ¹⁾								
Electrics	5.10		Service brake		hydraulic								
	6.1		Drive motor, output S2 60 min.		kW	4.5							
	6.3		Battery as per DIN 43531/35/36 A, B, C, no		A 43531								
	6.4		Battery voltage/nominal capacity K5		V/Ah	48 / 345	48 / 625	48 / 345	48 / 625	48 / 345	48 / 625	48 / 625	
	6.5		Battery weight		kg	575	860	575	860	575	860	860	
	6.6		Energy consumption according to VDI cycle		kWh/h	3.7 ²⁾	3.7 ²⁾	4.3 ²⁾	4.3 ²⁾	5.5 ²⁾	5.5 ²⁾	6.1 ²⁾	
Misc.	8.1		Type of drive control		Impuls/AC								
	8.4		Sound pressure level at operator's ear as per EN 12053		dB (A)	57							

¹⁾ See diagram

²⁾ With rated load

Benefit from the advantages



Reliable LED lighting (optional)



Ergonomic low step for effortless entry and exit



Clear layout of controls ensures easy operation



Driver cabs also available if required

Innovative 3-phase AC technology

Our 3-phase AC technology motors offer you more power and performance, while at the same time reducing operating costs:

- High efficiency levels with excellent energy management.
- Powerful acceleration and high top speed, even when laden.
- Rapid direction change.
- Maintenance-free drive motor.
- 2-year warranty on the drive motor.

Comfortable and safe operation

The speedCONTROL impulse control system facilitates comfortable, safe travel with adjustment options for every application:

- The fully sprung frame with springs and shock absorber guarantees traction at all times.
- The automatic parking brake ensures reliable starting and roll-back protection on gradients.
- The travel speed, set using the accelerator is maintained in all situations.
- Energy recovery – regenerative braking when decelerating.
- Programmable crawl speed button allows travel at reduced speed.
- Three alternative travel programs can be set to suit every specific need.
- 2-stage LED lights (daytime running lights, travel lights).

Optimised ergonomics

- Easy entry and exit due to the low footstep.

- Spacious operator position with large foot-well. Ergonomic footrest for the left foot.
- Short distances from the operator position to the coupling and load.
- Clearly visible, easily accessible coupling.
- Inching controls for simple coupling and decoupling (optional).
- Non-marking superelastic wheels (optional).
- Well organised with many storage areas for the operator.

Rugged construction for the toughest applications

- Frame made from high-grade, 8-mm steel plate.
- Extra-high frame apron to the front.
- Robust LED lights: Front lights, rear lights and indicators (optional).
- Lateral protection provided by skirting (optional).

Long operating times available with lead-acid battery

Energy-efficient 3-phase AC technology and high battery capacities allow for long operating times. XL version allows the use of forklift truck batteries (e.g. electric 3 wheel fork lift EFG 213-220).

- Standard version: 3 PzS 345 Ah.
- XL version: 5 PzS 625 Ah.

Fully informed at all times

Easy to read display and instruments allows a constant and complete overview of battery discharge indication, operation hours, speed and fault diagnostics.

- PIN code activation of the truck (optional).
- Choice of 3 travel programs.
- Adjustable travel parameters.
- Turtle switch.

Additional equipment

Extensive accessories for individual tailoring to your requirements:

- Inching buttons for simple coupling and decoupling.
- Lateral battery exchange for easy changing.
- Additional steel bumper.
- Holder for radio data components.
- Different couplings.
- Hydraulic or electric supply connections for our GTE and GTP trailers.
- Comfort charging: Charging of the built-in battery without need to open panels.
- Cabs with various options for outdoor use.
- Further options for the right configuration of the tow tractor.
- Also available: Platform truck based on the EZS Series 5.

Lithium-ion technology

- High degree of availability thanks to extremely short charging times.
- No battery exchange required.
- Cost savings due to longer service life and low maintenance compared with lead-acid batteries.
- No charging rooms and ventilation required as there is no build up of gas.
- Longer service life with 5-year Jungheinrich guarantee.

Jungheinrich Lift Truck Ltd.

335/3 Moo 9, Bangna - Trad KM.19 Rd.,
Tambon Bangchalong, Amphoe Bangplee,
Samutprakarn 10540
Thailand
Tel.: +66 20090200
Fax: +66 20090209

info@jungheinrich.co.th
www.jungheinrich.co.th

The German production facilities in Norderstedt, Moosburg and Landsberg are certified.

ISO 9001
ISO 14001

Jungheinrich fork lift trucks meet European safety requirements.



JUNGHEINRICH