

Manoeuvrable and compact

Maintenance-free 3-phase
AC drive motor

Built-in charger

Wide range of
coupling options



EZS 010

Tiller operated mini tow tractor (1,000 kg)

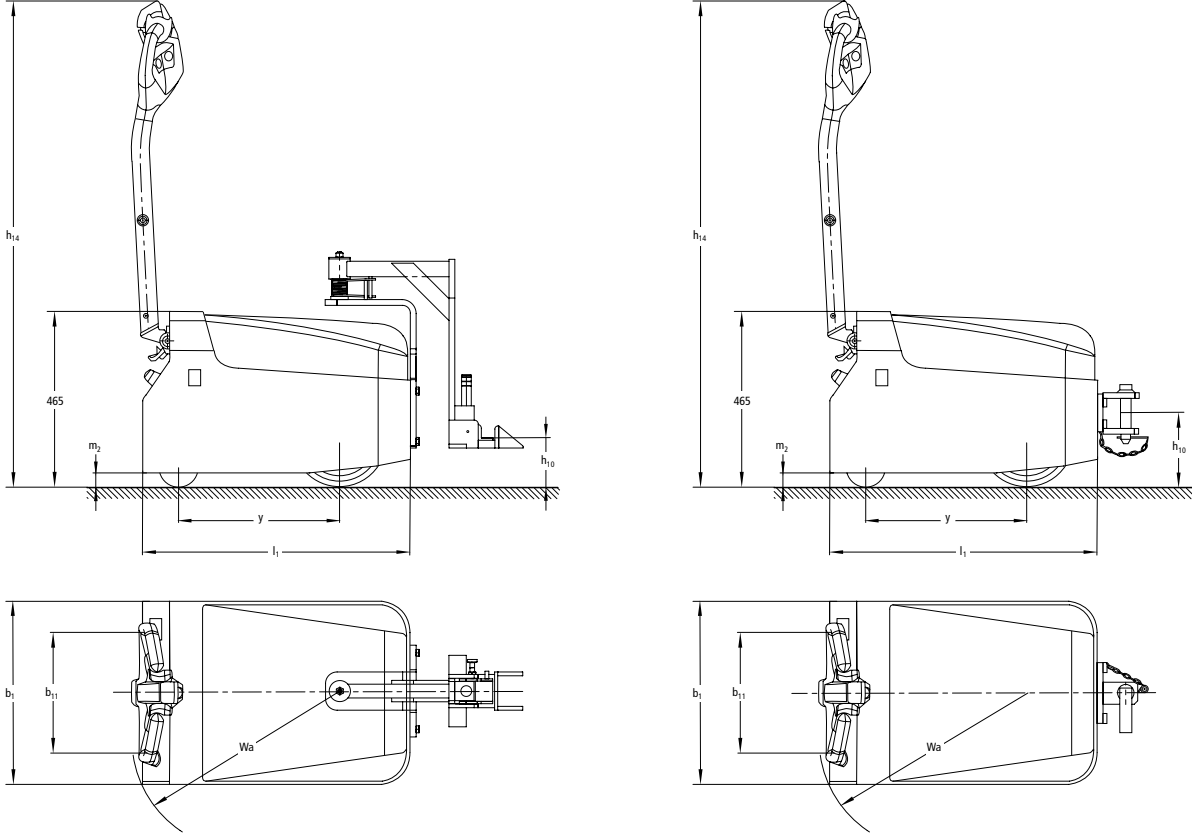
The EZS 010 is a versatile, efficient mini tow tractor for towing trailers of up to 1,000 kg. It is ideal for the transport of loads in restricted areas. With the mini tow tractor, trailers are moved quickly, economically and easily. They are designed for a wide range of applications, such as wholesale furniture, industry, supermarkets or hospitals.

Anywhere where smaller loads must be transported over short distances, the EZS 010 is the clear choice with compelling advantages:

- Wide variety of coupling systems for many different trailer types.
- Clearly visible, easily accessible coupling.
- 24-volt 3-phase AC drive motor.
- Ergonomic safety tiller arm.
- Compact, user-friendly design.
- Turns on the spot.
- Drive tyre protected by chassis.
- A choice of three travel programs.

JUNGHEINRICH

EZS 010



Technical data in line with VDI 2198

Identification	1.1	Manufacturer (abbreviation)		Jungheinrich
	1.2	Model		EZS 010
	1.3	Drive		Electric
	1.4	Manual, pedestrian, stand-on, seated, order picker operation		pedestrian
	1.5	Load capacity/rated load	Q t	1
	1.7	Rated drawbar pull	F N	200
Weights	1.9	Wheelbase	y mm	415
	2.1.1	Net weight incl. battery (see row 6.5)	kg	190
	2.3	Axle loading, unladen front/rear	kg	85 / 105
Wheels / frame	3.1	Tyres		Vulkollan, solid rubber
	3.2	Tyre size, front	mm	Ø 100 x 40
	3.3	Tyre size, rear	mm	Ø 230 x 70
	3.5	Wheels, number front/rear (x = driven wheels)		2 / 1x
	3.6	Tread width, front	b ₁₀ mm	315
	3.7	Tread width, rear	b ₁₁ mm	370
Basic dimensions	4.9	Height of tiller in drive position min. / max.	h ₁₄ mm	1,270
	4.12	Coupling height	h ₁₀ mm	150 ¹⁾
	4.19	Overall length	l ₁ mm	700
	4.21	Overall width	b ₁ /b ₂ mm	480
	4.32	Ground clearance, centre of wheelbase	m ₂ mm	35
Performance data	4.35	Turning radius	W _a mm	570
	5.1	Travel speed, laden/unladen	km/h	5.4 / 6
	5.5	Drawbar pull, laden/unladen	N	200
	5.6	Max. drawbar pull, laden/unladen	N	600
Electrics	5.10	Service brake		electro-magnetic
	6.1	Drive motor, output S2 60 min.	kW	1.0
	6.4	Battery voltage/nominal capacity K5	V/Ah	24 / 63
	6.5	Battery weight	kg	46
Misc.	8.1	Type of drive control		3-phase AC technology

¹⁾ With single plug-in coupling

Benefit from the advantages



Clear controls



Easy trailer shunting



Ergonomic tiller



Individual coupling solutions to suit the trailer

Innovative 3-phase AC technology

Our 3-phase AC technology motors offer you more power and performance, while at the same time, reducing operating costs. Advantages:

- High efficiency levels with excellent energy management.
- Powerful acceleration.
- Maintenance-free drive motor with no carbon brushes.
- 2-year warranty on the drive motor.

Fully informed at all times

Extensive display provides a complete overview:

- Combined discharge indicator (3 colour LED) with load status display.
- CanDis (optional) provides information on the battery discharge status, number of operating hours and error codes.
- Activation of truck via PIN code and selection of 3 travel programs via keypad (optional).

- Adjustable travel parameters via CanDis and CanCode (optional).

Work ergonomically

Tiller arm optimally adapted to the ergonomic needs of the operator:

- Colour coding and buttons with countersunk/raised shape for intuitive operation.
- Grip position optimally adapted to the operator's hand posture.
- Easy accessibility of the crawl speed button when travelling with vertical tiller.
- Non-contact sensor system with IP 65 protection, hence lowest risk of breakdown.
- Rocker switch for consistent operation in all tiller positions.

Minimum maintenance work

The AC drive system and small number of moving parts keep running costs to a minimum:

- Easy access to all parts inside one-piece front panel with just 2 Retaining fasteners.
- Excellent protection against dust and humidity through IP 54 enclosure of controller and plugs.

Easy charging

The battery can be recharged at any mains socket using the built-in charger.

Individual coupling solutions

Individual coupling solutions enable the truck to be used with a range of trailer types. Both standard couplings (e.g. single plug couplings) and modified couplings can be used.

- Standard couplings attached to the chassis if the trailer has its own steering.
- Coupling arm can be used with a modified receptacle for non-self steering trailers. This ensures easy steering and effortless movement of trailers.

Jungheinrich Lift Truck Ltd.

335/3 Moo 9, Bangna - Trad KM.19 Rd.,
Tambon Bangchalong, Amphoe Bangplee,
Samutprakarn 10540
Thailand
Tel.: +66 20090200
Fax: +66 20090209

info@jungheinrich.co.th
www.jungheinrich.co.th

The German production facilities in Norderstedt, Moosburg and Landsberg are certified. **ISO 9001**
ISO 14001

Jungheinrich fork lift trucks meet European safety requirements.



JUNGHEINRICH